



APOLO SACK TIP STATION VSIS-0600 / VSIS-0800

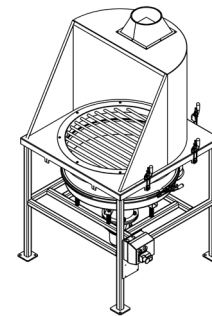
Sack table with a built in sieve shaker. Station used to feed bulk material delivered in different packaging (bags and boxes) controlling and reducing dust.

Specifications:

- Removable cabinet with fast clamps, 4 working positions
- Production rate till 3.000Kg/hour (depending on the product)
- Engine vibrator at 1500 r.p.m., Centrifugal Forces of 160Kg and 0,3Kw
- Stainless steel INOX AISI304 o AISI316 on demand
- Internal mirror polish / external matte finish
- Inlet with removable grid made of stainless steel.
- Dust outlet of $\varnothing 150$ or $\varnothing 200$ mm INOX
- Different cabinets available (see following page)
- Silicon gasket suitable for FDA .
- Electrical control panel included /Emergency stop / start – stop button.
- (Option) wheel assembly

INCLUDES:

- > Screener with central electric vibrator
- > Steerable Dust Cabinet, see options
- > Bag Tip Table
- > User Manual
- > CE declaration of conformity

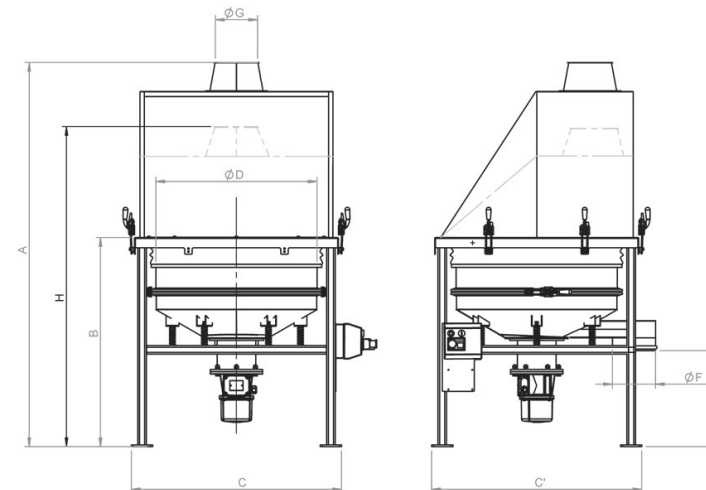


TECHNICAL FEATURES				
VSIS-0600	380/400V	50 Hz	1500rpm	0,3kW
VSIS-0800				

TECHNICAL DIMENSIONS

(mm)	VSIS-0600	VSIS-0800
A	1600	1800
B	980	980
C - C'	785	985
D	$\varnothing 600$	$\varnothing 755$
E	450	450
F	$\varnothing 150$	$\varnothing 200$
G	$\varnothing 200$	$\varnothing 200$
H	1300	1500

*only for heavy dust cabinet series HR o HC



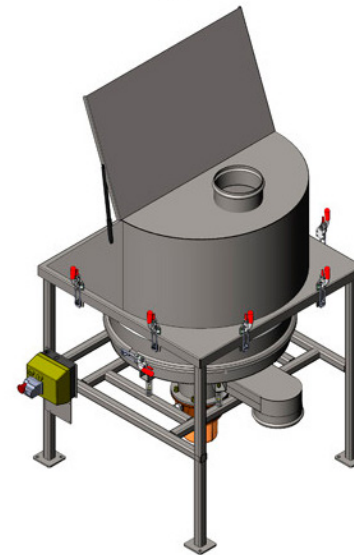
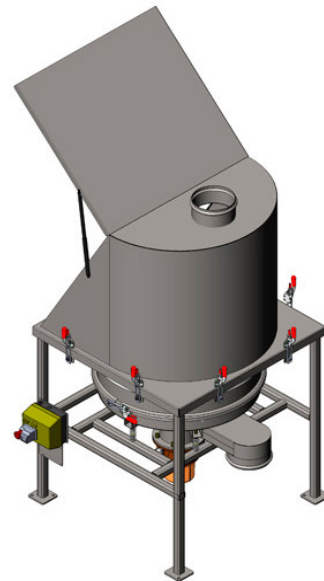
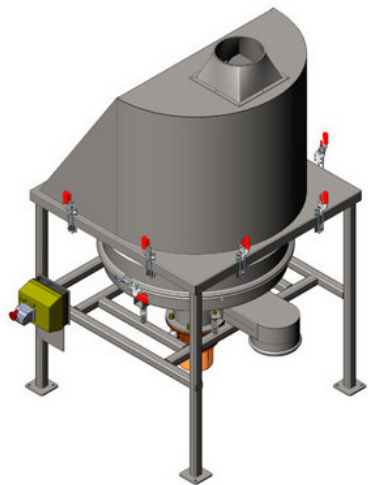
LR Series



MR Series



HR Series



Applications

Available with different profiles, square C or rounded R for different particle density:

- Series L (for light dust)
- Series M (for medium dust)
- Series H (for heavy dust)

Aspiration system not included

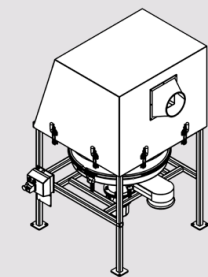
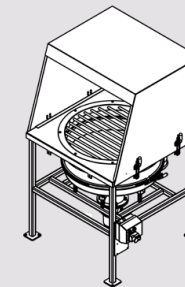
Round profile R

Collected space, easy to clean, ideal for low density products. Application series (L, M or H) chosen according to product.

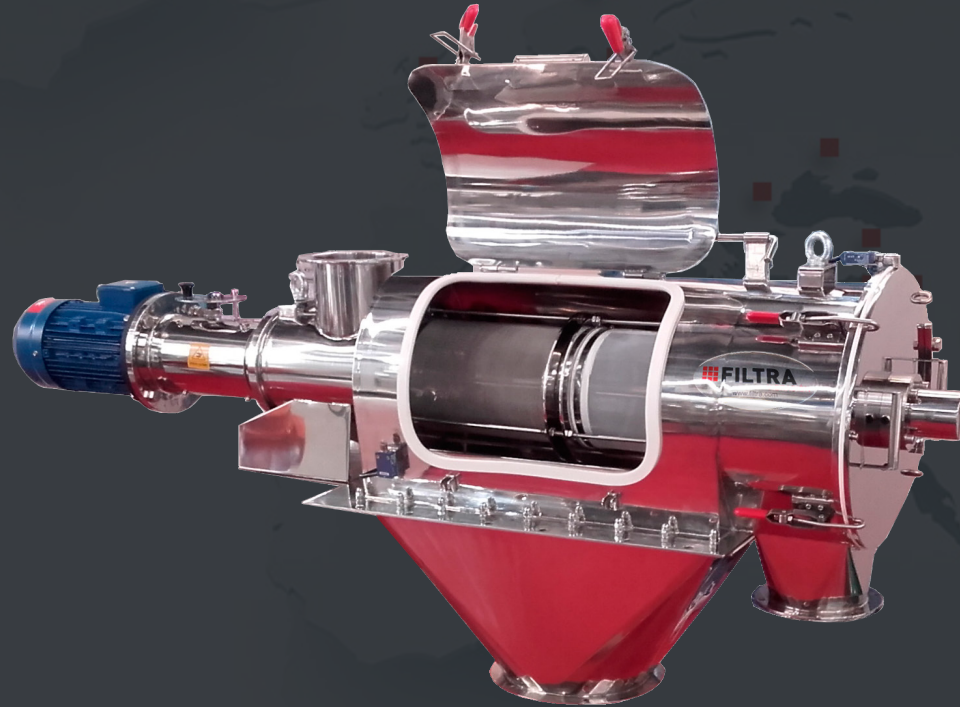
Square profile C

Large and comfortable loading space. Application series (L, M or H) chosen according to product.

Detail of LC Series



CE



SIEVING FOR LABORATORY AND INDUSTRIAL PROCESSES

FILTRA
VIBRACIÓN

Filtra Vibración S.L

C/ BRONZE, 1-3, P.I. LES GUIXERES
08915 BADALONA (BARCELONA)

filtra@filtra.com
filtra.com