

PNEUMATIC CONVEYING AND ASPIRATION/FILTRATION EQUIPMENTS

ANAMILLING



PNEUMATIC MICRO CYCLONE MODEL: ATMC

Pnömatik siklonet
Pneumatiques micro cyclone
Neumáticos micro ciclón

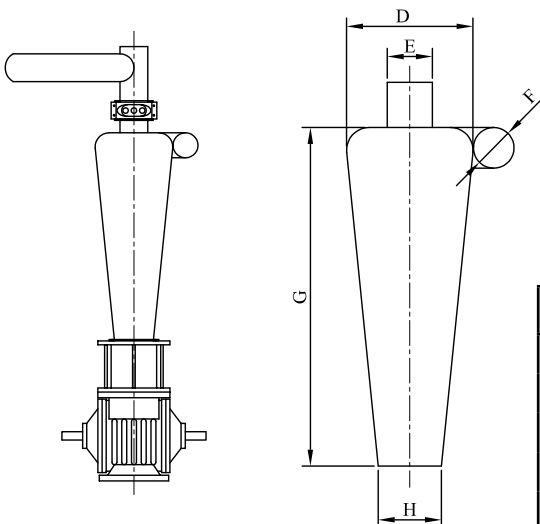
PNEUMATIC MICRO CYCLONE- MODEL: ATMC



The combination of air lock and cyclones equipped with air adjustment valves provides the separating of the product in the flour milling pneumatic systems.

Les produits transportés de la partie de broyage sont séparés par l'air. Le cyclone d'air aspire du haut.

La combinación de las esclusas y los ciclones equipados con válvulas de ajuste de aire proporciona la separación del producto en la molienda de harina y sistemas neumáticos



| MODEL | | ATMC-28 | | | ATMC-34 | | | ATMC-41 | | | | |
|----------------|---|---------|-----|----|---------|-----|----|---------|-----|----|-----|-----|
| Dimension (mm) | D | 280 | | | 340 | | | 410 | | | | |
| | E | 100 | 120 | | 120 | 130 | | 130 | 140 | | | |
| | F | 60 | 70 | 83 | 90 | 83 | 90 | 102 | 115 | 90 | 102 | 115 |
| | G | 750 | | | 750 | | | 750 | | | | |
| | H | 140 | | | 140 | | | 140 | | | | |