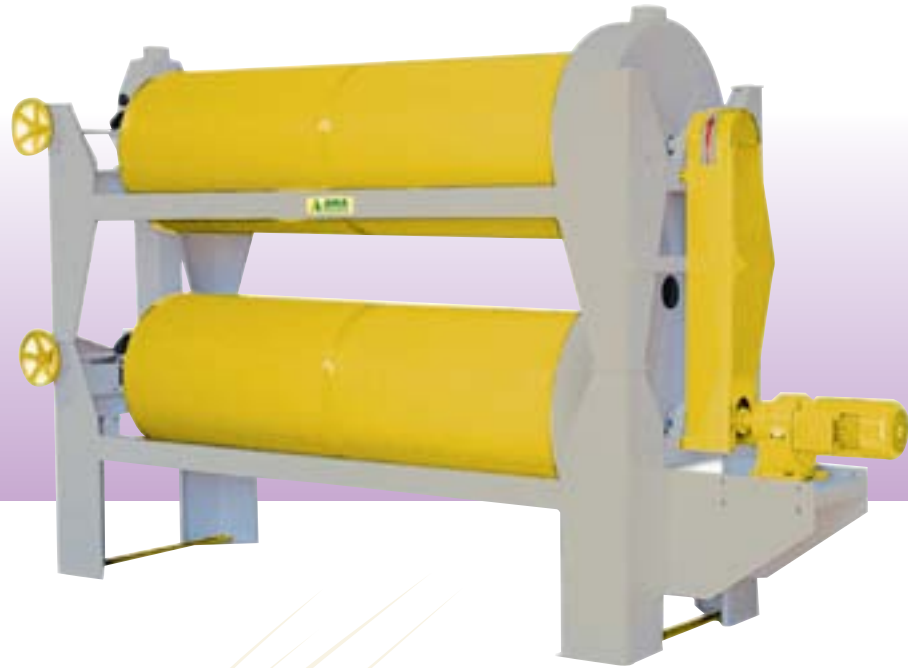


GRAIN CLEANING EQUIPMENTS

# ANAMILLING



## TRIEUR (INTENDED CYLINDER) MODEL: ACIC

Triyör  
Trieur cylindrique  
Triarvejön de tambour

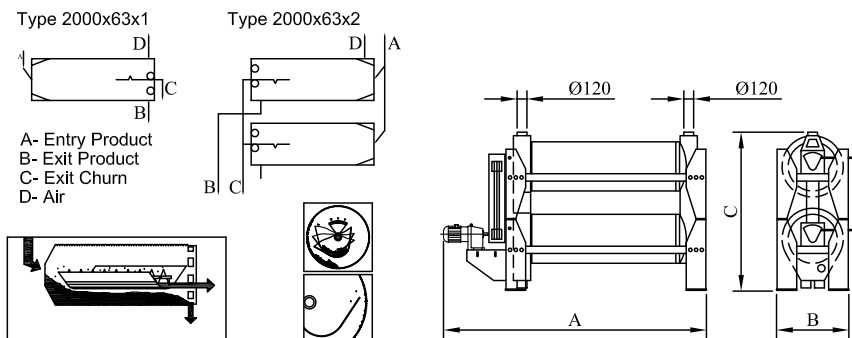
## TRIEUR (INTENDED CYLINDER) - MODEL ACIC



Trieurs are used to separate the round particles smaller than wheat kernels, broken wheat kernels and longer particles bigger than wheat kernels.

Trieur cylindrique sont utilisées pour séparer les particules rondes plus petites que les grains de blé, grains de blé cassé, les particules plus grandes que les grains de blé.

Los Triarverjones se utilizan para separar las partículas redondas más pequeñas que los granos de trigo, granos quebrados de trigo, y las partículas más grandes que los granos de trigo



MODEL		ACIC 63 x 200 x 1		ACIC 63 x 200 x 2		ACIC 73 x 200 x 2		ACIC 90 x 240 x 2	
Capacity	(t/h)	6	4	6	8	10	12	12	14
Motor	(kw)	1,5		2x2.2		2x2.2		2x3	
Air	(cu.m/min)	8		12		14		16	
Dimension (mm)	A	3220		3220		3250		3900	
	B	910		910		1000		1235	
	C	1140		2050		2100		2530	
Weight	(kg)	500		1000		1250		1520	

\*The capacities for the machines and equipments shown in this catalogue are for wheat having 780 kg/m<sup>3</sup> specific gravity and may vary depending on the specific gravity, humidity and foreign material contents of grain\*